

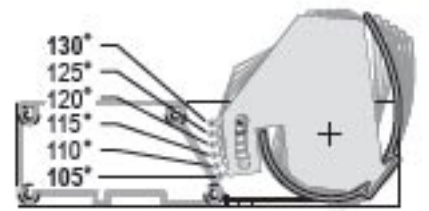
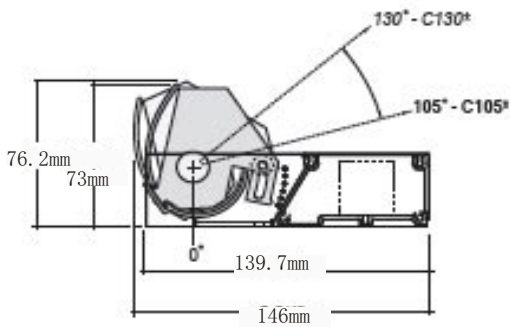
描述: 线形非对称荧光洗墙灯, 可在水平或垂直表面安装, 宽146mm高76mm, 挤压成型铝质灯体, 可调节挤压成型铝质反射器并带锁定功能, 105度非对称配光, 可连续穿线安装, 内置电子镇流器。灯具长度参见建筑详图。

光源: 1支F54T5荧光灯管/835/HO

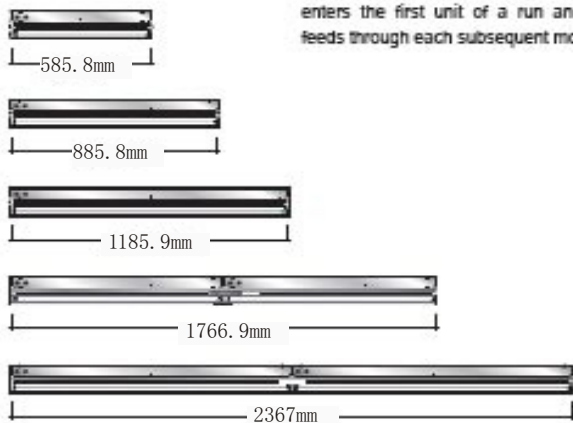
输入功率: 每1200mm长度 62W

制造商: Pinnacle Architectual Lighting Cove 105
(C105- 1T5H O-长-VOLTS-N)
联系: Contract Lighting USA 614. 486. 6761
Haley Vogel: haleyvogel@pinnacle.com

备注: 承包商要按上述要求在具体的位置尽可能长的连续, 安装结构请参照建筑大样图A-E901。



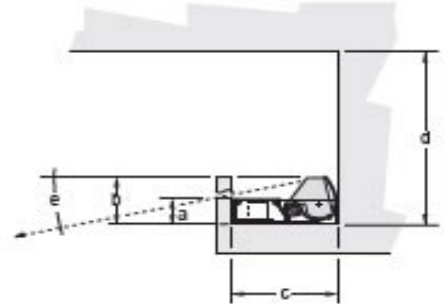
COMPONENTS



Cove 105 components easily join to form an array of continuous run lengths for a broad seamless "wash" of light. Power enters the first unit of a run and then feeds through each subsequent module.

TYPICAL COVE DESIGN GUIDELINES

For best results specify a smooth high-reflectance painted surface or material with a matte finish



- a Valance Height (Min) 38mm (recommended for best results)
- b Valance Height (Max) 76mm (recommended for very large rooms with low cove heights to prevent lamp image visibility)
- c Cove Interior Width C105-146mm
- d Overall Cove Height 450mm minimum/610mm preferred
- e Lamp Image Cut-Off 0°-12.5° dependent on valance height

备注: 灯具尺寸仅供参考, 实际尺寸由制造商根据具体建筑结构确定。其他的灯具特性由灯具制造商确定。

Section 26 5001

北京会议中心 - 建筑 'E'
照明灯具参数表
项目号 # 100096.00
日期: 11.28.2006